
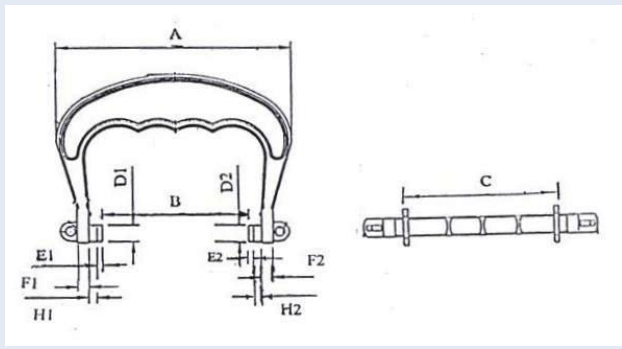


**Going Well Precision Industry Co., Ltd.**

*Going Well. Going Fair. Going Far.*

46 Fu-Sing Road  
Lujhu District, Kaohsiung City 82147  
Taiwan (R. O. C.)  
Phone: +886.7.696.4205 Fax: +886.7.697.5702  
Website: www.gwpi.com.tw Email: info@gwpi.com.tw

199/45R HANDLE				SPOOL ACCESSORY					
				Nominal Copper Weight				N/A	
				Wire Size Range				N/A	
				AWG Range				N/A	
				Weight				25 g	
				Material				ABS	
				Color				Black	
DIMENSIONS AND TOLERANCES (in mm)									
	D1 / D2	E1 / E2	F1 / F2	A	B	C	H1 / H2		
Dimensions	8.8	2.3	6	120.6	75.4	80	4.3		
Tolerances	±0.2	±0.2	±0.3	±0.5	±0.5	±0.5	±0.2		
				PACKAGING					
				Carton Dimensions (in cm)				44.6 X 36.6 X 63	
				# per Carton				600	
				# per 20' CY Container				162,000	
				# per 40' HQ Container				384,000	

Remarks:

1. Samples are available upon request.

**THANK YOU FOR YOUR BUSINESS!**